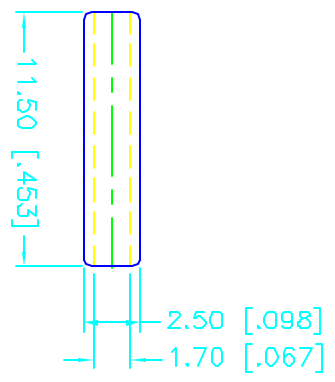
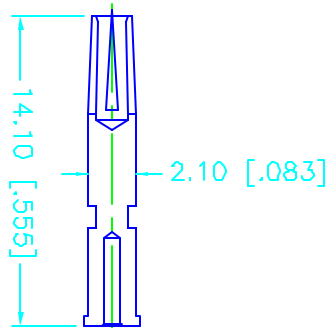
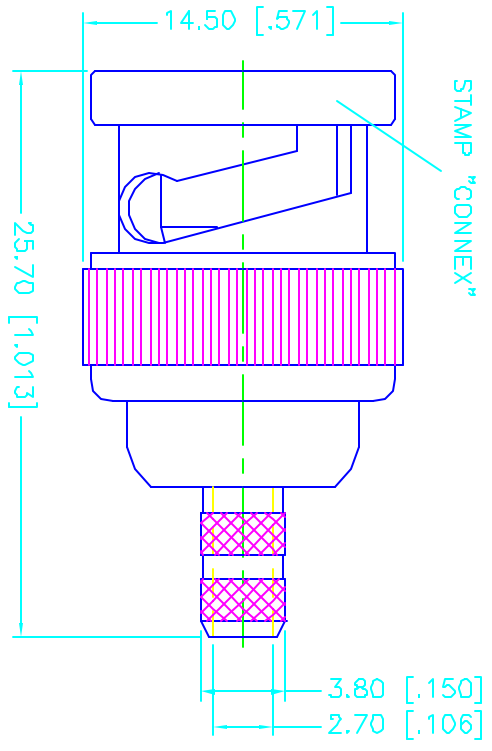
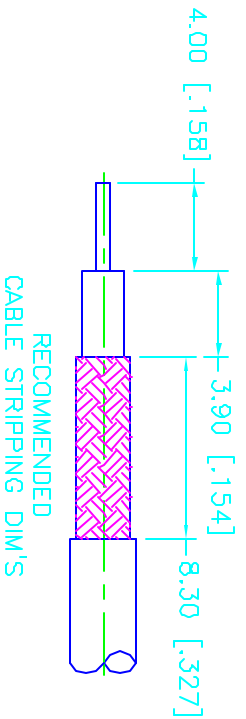
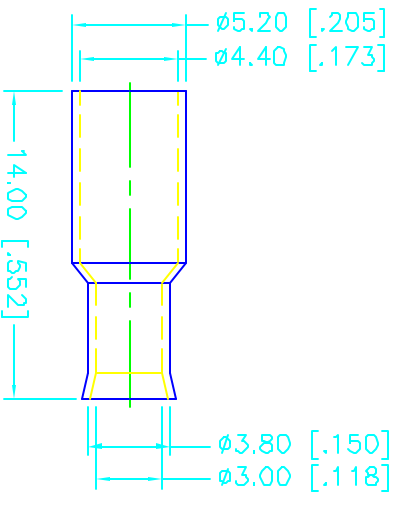


REV.	DATE	DESCRIPTION
NC	01/29/00	INITIAL RELEASE



- CRIMP NOTES:
1. CRIMPED FERRULE HEX CRIMP SIZE .178"
 2. CRIMPED CONTACT PIN HEX CRIMP SIZE .068"



DESCRIPTION	MATERIAL	FINISH	UNLESS OTHERWISE SPECIFIED DIMENSIONS IN [] ARE IN INCHES DIMENSIONS ARE IN MILLIMETERS FOR CUSTOMER REFERENCE ONLY	APPROVALS	DATE	TITLE	SCALE	PART NO.	SHEET	REV.	
1 BODY	BRASS	NICKEL	UNLESS OTHERWISE SPECIFIED TOLERANCES FOR MILLIMETERS ARE: 0.5-6 ± 0.2 6-30 ± 0.4 30-120 ± 0.6 120-315 ± 1 315-1000 ± 1.6 1000-2000 ± 2.4	DRAWN	01/29/00	BNC CRIMP PLUG - REVERSE POLARIZED (FOR RG-174, 188A, 316/U CABLE)	A	99001	1 OF 1	NC	
2 INSULATOR	TEFLON	NATURAL		CHECKED	G.R.S.			NA	112132RP		
3 CONTACT PIN	BRASS	GOLD		ISSUED				DWG. NO.	112132RP.DWG		
4 SLEEVE	DELRIN	NICKEL									
5 FERRULE	BRASS	NICKEL									
6											
7											
8				DO NOT SCALE DRAWING							

